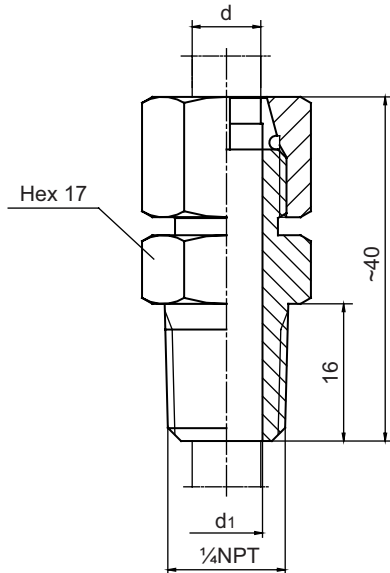


COMPRESSION FITTING type UG 5

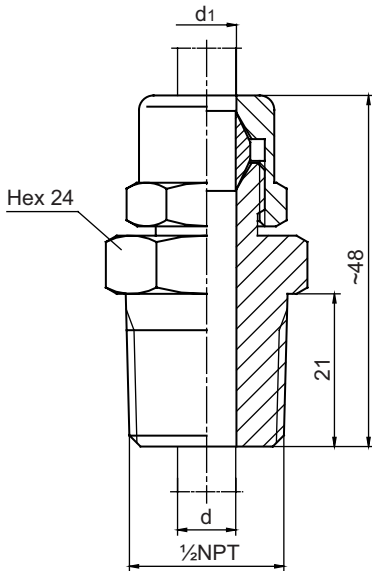
<http://www.limatherm.com/en/ug5>



Type	Diameter of sheath d [mm]	d ₁ [mm]
UG 5	Ø8	Ø8.4
Material of elements	1.4028 (X30XCr13)	
Max temperature	500°C	
Gas tightness	non tight	
Ordering sample: Compression fitting UG 5		

COMPRESSION FITTING type UG 6

<http://www.limatherm.com/en/ug6>



Type	Diameter of sheath d [mm]	d ₁ [mm]
UG 6 – 8	Ø8	Ø8,2
UG 6 – 10	Ø10	Ø10,2
Material of elements	1.4541 (X6CrNiTi1810)	
Max temperature	500°C	
Gas tightness	to 1 bar (500°C)	
Ordering sample: Compression fitting UG 6 – 8		