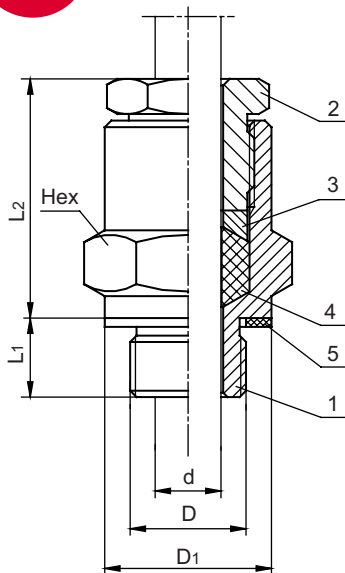
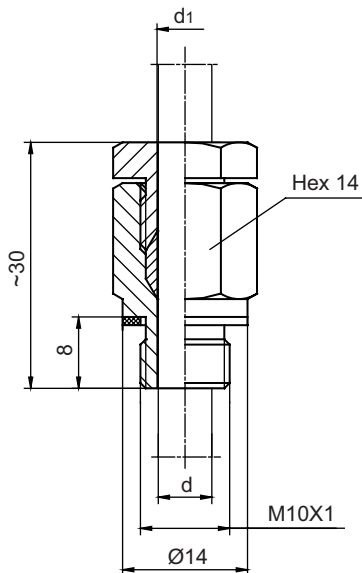


COMPRESSION FITTING type UG 2

<http://www.limatherm.com/en/ug2>


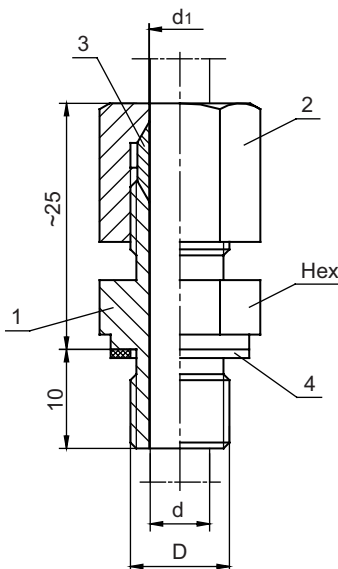
Type	Diameter of sheath d [mm]	Type of thread D	Dimensions [mm]			
			D ₁	Hex	L ₁	L ₂
UG 2 – 12	Ø12	G½	Ø34	36	18	~59
UG 2 – 15	Ø15	G½	Ø34	36	18	~59
	Ø15	G¾	Ø38	41	18	~59
UG 2 – 22	Ø22	G1	Ø45	46	25	~67
UG 2 – 26	Ø26	G¾	Ø55	55	30	~86
UG 2 – 32	Ø32	G¾	Ø55	55	30	~86
Materials of elements		1. Steel 1.0715 zinc-plated. 2. Steel 1.0715 zinc-plated. 3. Steel 1.0715 zinc-plated. 4. Teflon PTFE or Graphite 5. BELPA (non asbestos)				
Max temperature		250°C (Teflon); 450°C (Graphite)				
Gas tightness		to 1 bar				
Ordering sample: Compression fitting UG2 – 15 – G¾ – teflon						

COMPRESSION FITTING type UG 3

<http://www.limatherm.com/en/ug2>


Type	Diameter of sheath d [mm]	d ₁ [mm]
UG 3 – 3	Ø3	3.2
UG 3 – 4.5	Ø4.5	4.7
UG 3 – 6	Ø6	6.2
Material of elements	1.4541 (X6CrNiTi1810)	
Washer	BELPA (non asbestos)	
Max temperature	500°C	
Gas tightness	to 1 bar (500°C)	
Ordering sample: Compression fitting UG 3 – 6		

COMPRESSION FITTING type UG 4

<http://www.limatherm.com/en/ug4>


Type	Diameter of sheath d [mm]	Type of thread D	Dimensions [mm]	
			d ₁	Hex
UG 4 – 3	Ø3	M10×1	3.2	14
UG 4 – 4.5	Ø4.5		4.7	
UG 4 – 6	Ø6		6.2	
UG 4 – 8	Ø8	M12×1	8.2	17
Material of elements		1,2. 1.4028 (X30Cr13) 3. 1.4541 (X6CrNiTi1810) 4. BELPA (non asbestos)		
Max temperature		500°C		
Gas tightness		to 1 bar (500°C)		
Ordering sample: Compression fitting UG 4 – 6				