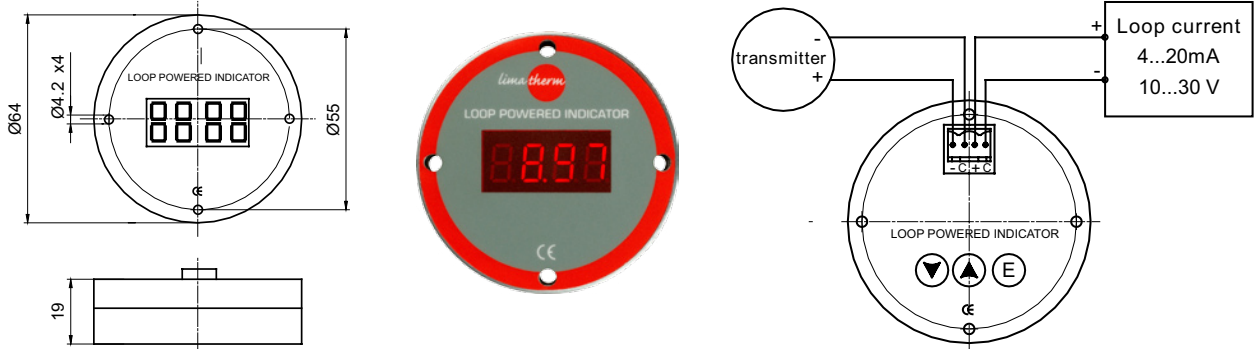
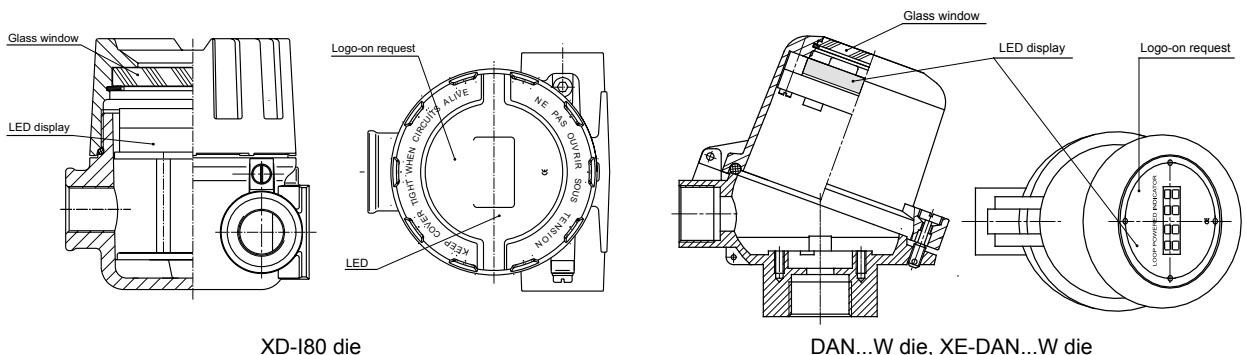


## PROGRAMMABLE LOOP POWERED LED DISPLAY – type LPI-01



Performances		FUNCTIONALITIES	
Reference operating condition	25°C	Parameters	Zero, span, decimal, point, refresh rate, unit
Max. Measured error	0,1% of the programmed range +/- 1 digit	Indication limits	-1999 to +9999
Influence of ambient temperature (tem. drift)	20ppm/°C of measuring range at 20°C as reference temperature	Programmable range	-1999 to +9999
Output signal	4...20 mA	Decimal points position	0, 1, 2, 3 decimals
Supply voltage	24V	Over-load limits	From 3.5 to 20.5 mA
Voltage drop out	3,3V at 4 mA and 3,7V at 20 mA	Refresh rate	From 1 to 10 second
Minimum current of LED activation	3.5 mA	Calibration points	Zero (4 mA) and span (20 mA), stored on FLASH
Digits	LED, 4 digits 7 segments, height 9,5mm	Unit	°C, °F, °K, % in cycle: 4sec. value – 2sec. unit
Visible dimension	30x14	<b>Mechanical construction</b>	
Display characteristics	6400ucd for If=10mA	Electrical loop connection	2 terminals, max. wire section 1mm <sup>2</sup> (16 AWG)
Data storage	FLASH	Dimension	Ø64 x 19 mm
Storage period	10 years (non powered)	Weight	65g
Mounting	4 holes/90 Ø 4,2 on Ø 55	Short mark display closed in the connection head or measuring	....die – standard version
Collaboration with Hart protocol transmitter	Yes	Application, Fixing	XD-I80di...-Fixing kit; Nr: KD-L1 DAN... Wdi...- directly by screw 2xM4x20 XE-DAN...Wdi. directly by screw 2xM4x20
Operating conditions			
Ambient temperature	-20...80°C		
Storage temperature	-30...80°C		
Moisture	25 bei 95% non condensating		
Ingress protection	IP 20		
Elektromagnetic compatibility	Carried out with positive results EN 61000, EN 55022		

Ordering: Loop power indicator type: LPI-01-  
measuring range °C \_\_\_\_\_



XD-I80 die

DAN...W die, XE-DAN...W die